

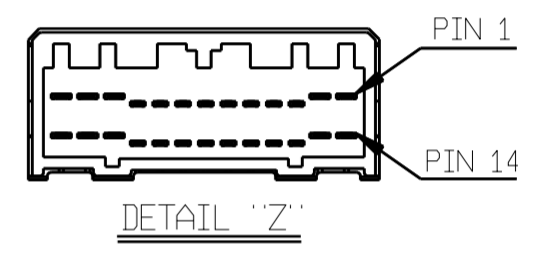
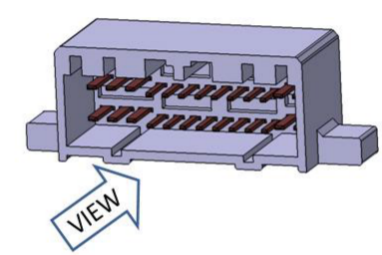
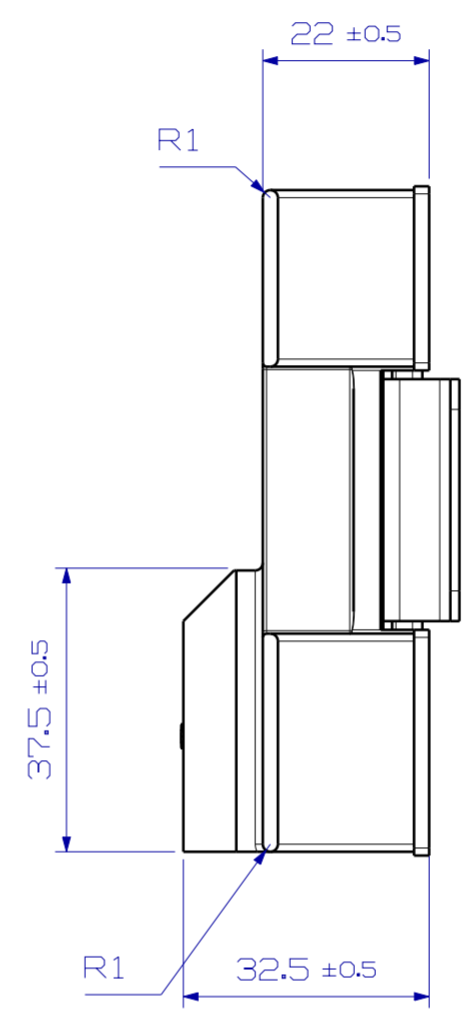
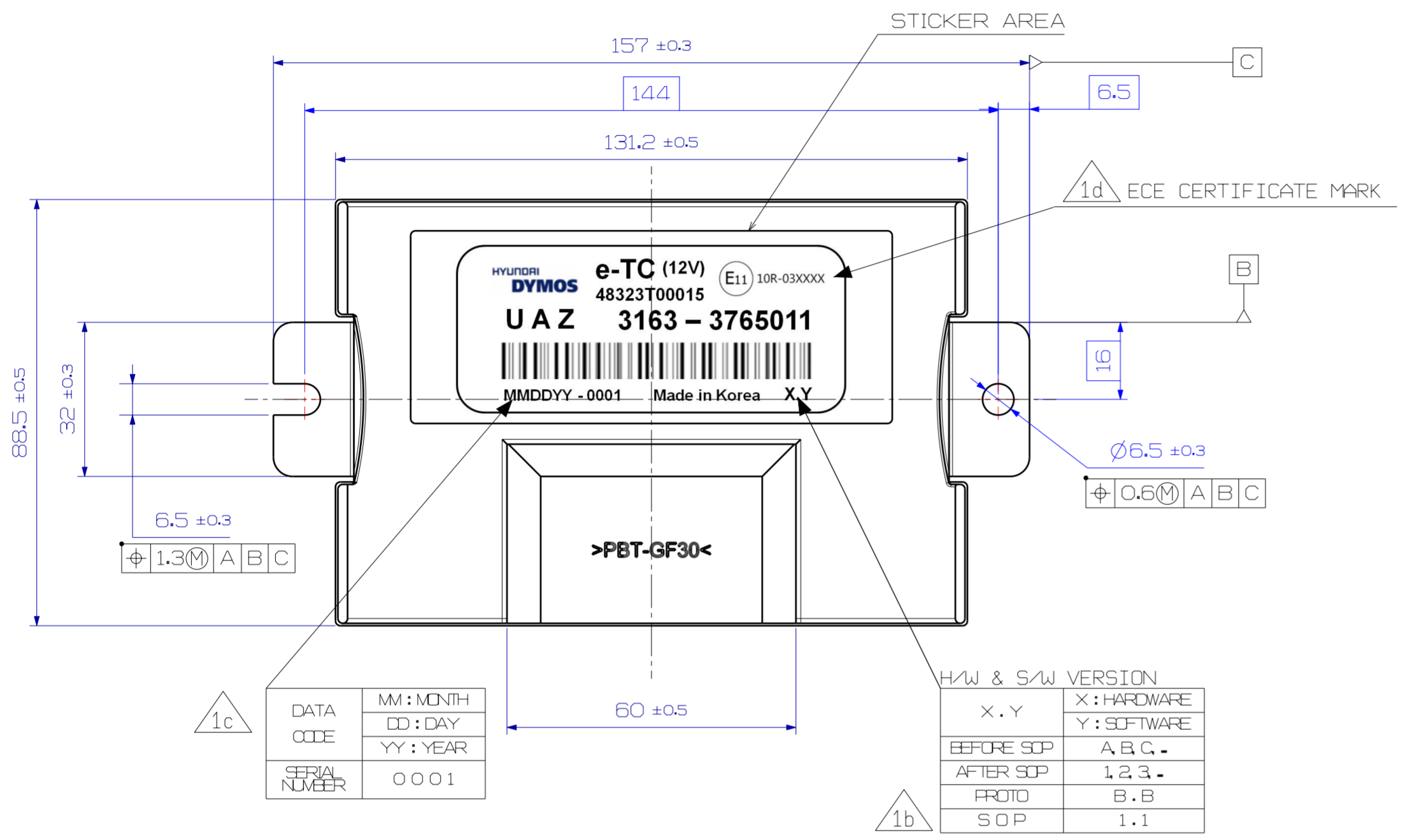
본 도안은 현대 다이모스의 지적 재산입니다. 이 도안은 도면에 수록된 내용을 보충할 목적으로 배포되며, 현대 다이모스의 명칭, 사명, 승인 없이 제 3자에게 유출시키거나, 재작성, 도제, 생산을 목적으로 사용할 시, 부정경쟁방지법에 저촉되므로 고발 조치됩니다.

This drawing is the property of HYUNDAI DYMOS Inc. It is furnished to you confidential for your information purpose only and is not to be disclosed to anyone else or reproduced or used for manufacturing purpose without the express permission of HYUNDAI DYMOS Inc.

NO	DATE	REVISIONS	EO-NO	DR	OK
△	20121011	RELEASE	P12FO-02	DH-KM	GSLEE
△	20121116	△ MATING CONNECTOR REVISION (WAS AMP 174516-X) △ H/W & S/W VERSION REVISION (WAS B.B) △ TABLE OF DATA CODE & SERIAL NUMBER WAS ADDED. △ ECE CERTIFICATE MARK WAS ADDED.	P12FO-02B	DH-KM	GSLEE

NOTES :

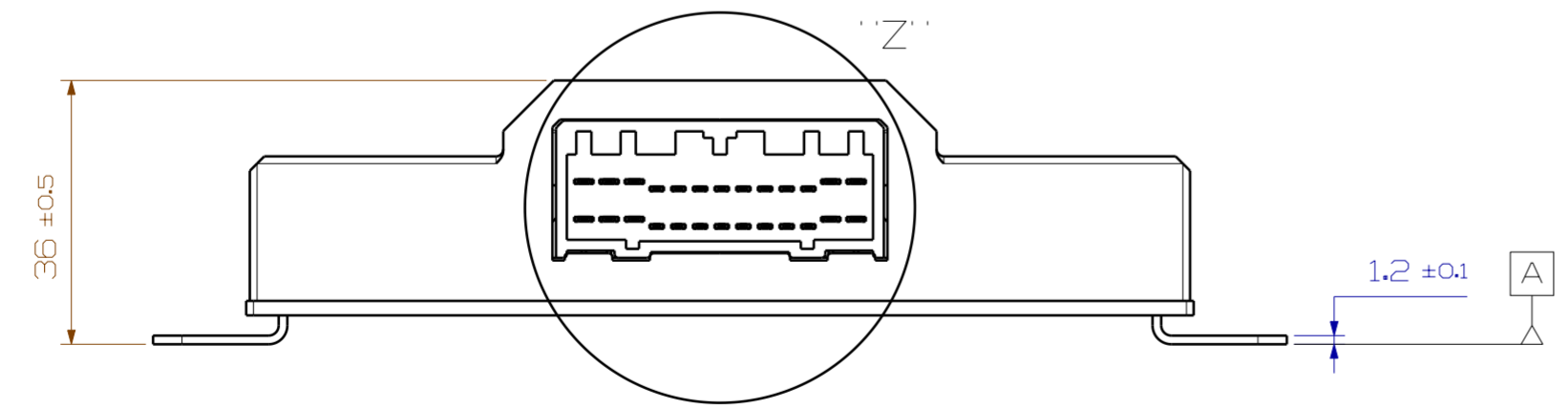
- INSTALLATION LOCATION : PASSENGER COMPARTMENT
- CASE MATERIAL : COVER - PBT+GF30
: BRACKET - EGI
- PROTECTION LEVEL : IP50 acc. to IEC 529
- ENVIRONMENT TEMPERATURE : -40°C to +85°C
- MUST MEET DYMOS SPECIFICATION : DMS09R-101
- ELECTROMAGNETIC COMPATIBILITY : CONFORM TO UN ECE REGULATION 10 REV.3 AND RENEW THE CERTIFICATE OF CONFORMITY ANNUALLY.
- PCB COATING : COATING BY BELOW MATERIAL AND THICKNESS
 - ACRYLIC : 30 ~ 60 um
 - RUBBER : 30 ~ 60 um
 - SILICON : 60~150 um
 DEFECTIVENESS OF THE APPEARANCE AND BUBBLES, ETC. MUST NOT BE PERMITTED.
- CONNECTOR P/N : KET MG641791 (MATING CONNECTOR P/NO : KET MG611336)



9. PIN DESCRIPTION

PIN	FUNCTION	PIN	FUNCTION
1	MOTOR_LOW_HI	14	MOTOR_LOW_HI
2	MOTOR_HI_LOW	15	MOTOR_HI_LOW
3	CLUTCH-PEDAL_SWITCH	16	4L_SWITCH
4	2H_SWITCH	17	POSITION_4
5	POSITION_2	18	POSITION_1
6	K-LINE	19	POSITION_3
7	SENSOR_SIGNAL	20	POSITION_GROUND
8	NC	21	VEHICLE SPEED SIGNAL
9	4WD_CHECK_LAMP	22	4H_LAMP
10	4L_LAMP	23	IGNITION (IGN 1)
11	SENSOR_VOC	24	LD (for RADLOU)
12	GND	25	GND
13	BATTERY	26	BATTERY

10. TCCU WIRING DRAWING P/NO : 48324T00015



현대다이모스(주)
HYUNDAI DYMOS INC.

2012-11-16
오전 10:25:28

참조 (REFERENCE)				일자 (DATE) 2012. 10. 11	
ME (DRAWN) DH-KM	검사 (CHECKED) GSLEE	검사 (CHECKED) HC.JEONG	승인 (APPROVED) SSAN	눈금 따지 않것 DO NOT SCALE	
치수 (UNLESS OTHERWISE SPECIFIED) 일반 (GENERAL DIM) 기계 (MACHINE DIM) 프레스 (PRESS DIM) 각 (ANGLE DIM)				CAD CATIA V5R18	중량 (WT) Kg 0.24
재료 (MATERIAL) 양산도				For Production Only	단위 : mm DIMENSION MILLIMETER
부품명 (PART NAME) Transfer Case Control Unit 트랜스퍼 케이스 제어기					
부품번호 (PART NO) 48323T00015				도면번호 (Form) A2	개수 (SHEET) 1 / 1 총 (SHEETS)