



# Electric Shift-On-the-Fly Transfer Case

Product Data Sheet



Like its mechanical counterpart, the Electric-Shift-On-the-Fly (ESOF) also is typically installed in part-time four-wheel-drive off-road vehicles such as trucks, rock-crawling vehicles and some military vehicles. However, with a 16-bit/ 32-bit CAN-enabled Electronic Control Unit (ECU) providing the mechanism to select between 2WD and 4WD as well as between high and low gear ranges via an electrical switch, the ESOF provides a much more enhanced traction and stability over the Mechanical Shift Transfer Case. The ESOF is available in several variants.

## Head Office & Bhosari Unit

Divgi-TTS Pvt. Ltd.  
75 General Block, MIDC, Bhosari, Pune 411 026  
TEL: +91 – 20 – 27302000, 27129690  
FAX: +91 – 20 – 27129691

## Sirsi Unit

Divgi-TTS Pvt. Ltd.  
Banavasi Road, Sirsi 581 401,  
TEL: +91 – 08384 – 229285, 225708  
FAX: +91 – 08384 – 229284



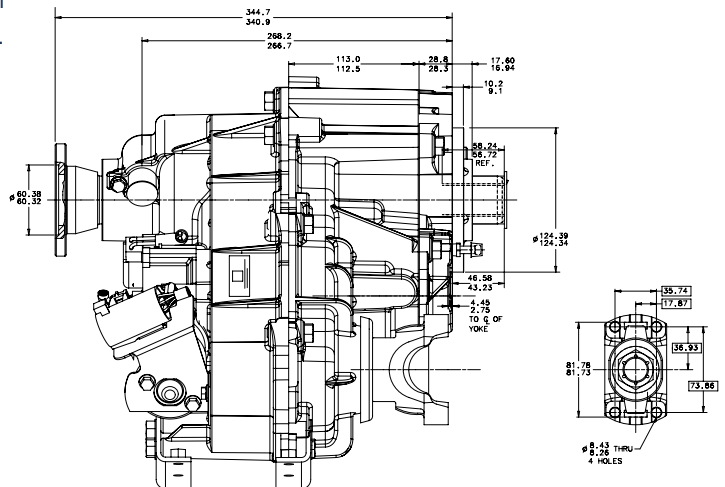
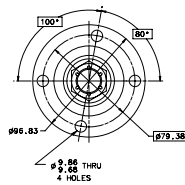
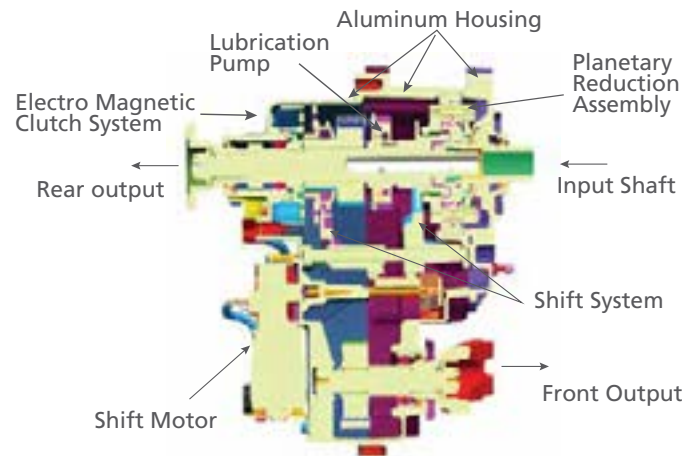
# Electric Shift-On-the-Fly Transfer Case

## Features / Specifications

### Features:

- » Part-time system allows driver to select two- or four-wheel drive operation.
- » Lightweight construction reduces total vehicle weight to enhance fuel use efficiency.
- » HY-VO® Chain-driven output provides quiet, four-wheel drive operation
- » Upper disconnect to chain stops unnecessary parasitic losses in two-wheel drive
- » Positive displacement oil pump and filter assures full lubrication when driving or towing. Reduces maintenance needs
- » Helical gearing delivers quiet, high- & low-range operation
- » Four-wheel drive indicator light switch indicates four-wheel drive mode for driver convenience
- » Electric shift / Single lever shift control simplifies selection of transfer case operating modes
- » Electromagnetic shift-on-the-fly provides smooth engagement of four-wheel drive at highway speeds.

### Cross Sectional View



### Installation Layout

### Specifications:

Configuration	Part-Time, Single Offset
High Range	1:1
Low Range	2.48 : 1
Low Range	Configuration Helical 6 Pinion
Offset	Right / Left
Lube System	Gerotor Pump

Fluid Type	ATF
Housing Material	Aluminium
Dry Weight (Kg)	31
Fluid Capacity (L)	1.2
Typical GVW Rating (Kgs)	2500
Shift Control	Selector Switch
Shift Pattern	2H - 4H - 4L

#### Head Office & Bhosari Unit

Divgi-TTS Pvt. Ltd.  
75 General Block, MIDC, Bhosari, Pune 411 026  
TEL: +91 – 20 – 27302000, 27129690  
FAX: +91 – 20 – 27129691

#### Sirsi Unit

Divgi-TTS Pvt. Ltd.  
Banavasi Road, Sirsi 581 401,  
TEL: +91 – 08384 – 229285, 225708  
FAX: +91 – 08384 – 229284